



Electric Grease Pump 6015 Series



The 6015 Series Pumps:-

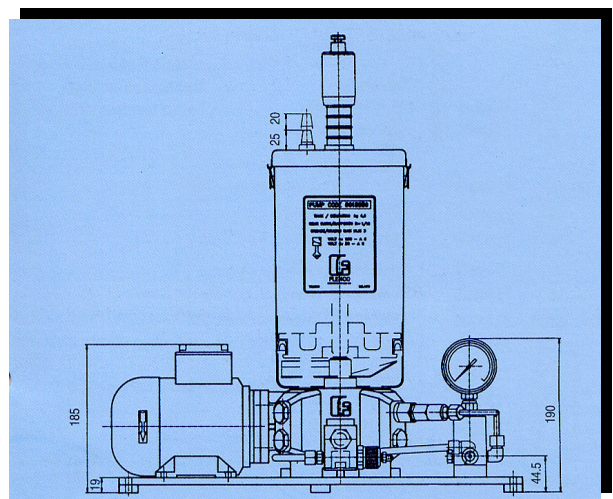
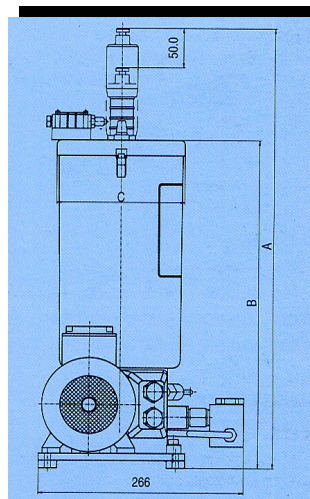
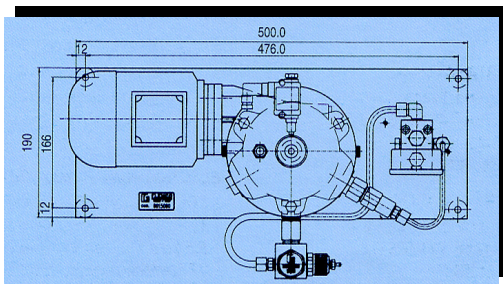
These pumps are designed for use with progressive centralised lubrication systems.

The reservoir of the pump is totally enclosed, an indicator rod provides a visual indication of the lubricant level and also included is an electric low level device for remote monitoring.

The reservoir is replenished via an 1/2" bsp or hydraulic grease nipple filler connection, complete with non-return valve and a reinforced 150 micron grease filter.

The system is protected by an adjustable overpressure relief valve complete with glycerine filled pressure gauge and 1/4" bsp outlet. The valve is adjustable to a maximum 30MPa (4,350 psi).

The pump has a choice of motors usually 220/380 volt 3 Phase 50 Hz or 260/460 volt 3 phase 60Hz.



RES. CAPACITY & DIMENSIONS mm

kg	A	B	C (Ø)
4.5	438	394	166
10	438	394	254
30	527	479	344



Specialist Lubrication
Engineers

Electric Grease Pump

6015 Series

PUMP AND RESERVOIR INFORMATION				PUMPING ELEMENT INFORMATION						
ASSEMBLY PART NO.	BASE PUMP PART NO.	PUMP RATIO	RES. KG.	NO	6 Ø R	6 Ø F	8 Ø R	8 Ø F	OUTPUT CM ³	PART NO.
6015060	6015050	1/15	4.5	1		Φ			18	7234025
6015061	6015050	1/15	4.5	1				Φ	33	7234026
6015062	6015051	1/15	10	1		Φ			18	7234025
6015063	6015051	1/15	10	1				Φ	33	7234026
6015064	6015052	1/15	30	1		Φ			18	7234025
6015065	6015052	1/15	30	1				Φ	33	7234026
6015066	6015055	1/30	4.5	1	Φ				1.25 - 9.5	7234005
6015067	6015050	1/15	4.5	1	Φ				2.5 - 18	7234005
6015068	6015051	1/15	10	1	Φ				2.5 - 18	7234005
6015069	6015051	1/15	10	1			Φ		4.8 - 33	7234006
6015071	6015052	1/15	30	1	Φ				2.5 - 18	7234005
6015072	6015052	1/15	30	1			Φ		4.8 - 33	7234006
6015073	6015056	1/30	10	1	Φ				1.25 - 9.5	7234005
6015074	6015052	1/15	30	1	Φ				2.5 - 18	7234005
6015076	6015052	1/15	30	2	Φ				5 - 36	7234005
6015077	6015052	1/15	30	1	Φ				2.5 - 18	7234005
6015078	6015055	1/30	4.5	1				Φ	17	7234014
6015079	6015050	1/15	4.5	1			Φ		4.8 - 33	7234006
6015080	6015056	1/30	10	1			Φ		2.5 - 17	7234006
6015081	6015056	1/30	10	1				Φ	17	7234026
6015084	6015050	1/15	4.5	4				Φ	132	7234026
6015088	6015056	1/30	10	1				Φ	17	7234026

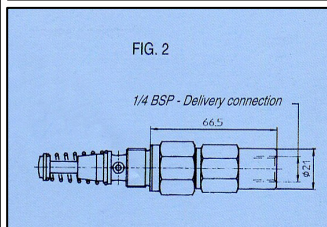
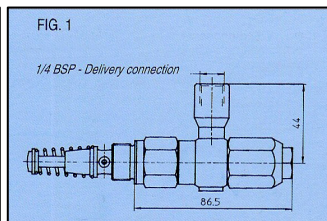
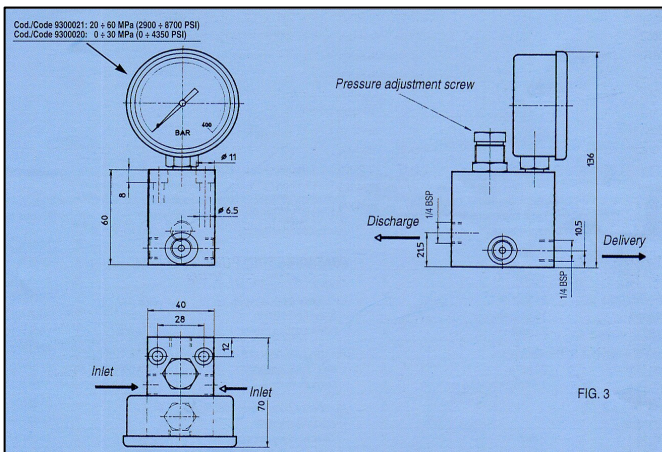


Fig. 1 Adjustable output pumping element.

Ø 6 mm piston Part No. 7234005
Ø 8 mm piston Part No. 7234006

Fig. 2 Fixed output pumping element.

Ø 6 mm piston Part No. 7234025
Ø 8 mm piston Part No. 7234026

Fig. 3 Adjustable overpressure relief valve.

3 to 30 MPa (435 to 4350 psi)
Part No. 7050014
20 to 60 MPa (2900 to 8700)
Part No. 7050015



R J Mellor & Co Ltd

1 Devonshire Grove, Sheffield, South Yorkshire, England, S17 3PG
Tele: +44 (0) 114 236 8666 Fax: +44(0) 114 236 3020
E-mail: sales@rjmellor.co.uk Web: www.rjmellor.co.uk

Specialist Lubrication
Engineers

The information contained in this data sheet is for guidance only and does not form part of any contract. The accuracy cannot be guaranteed as R J Mellor & Co Ltd. has an ongoing process of development and reserve the right to change the specification of their products without notice